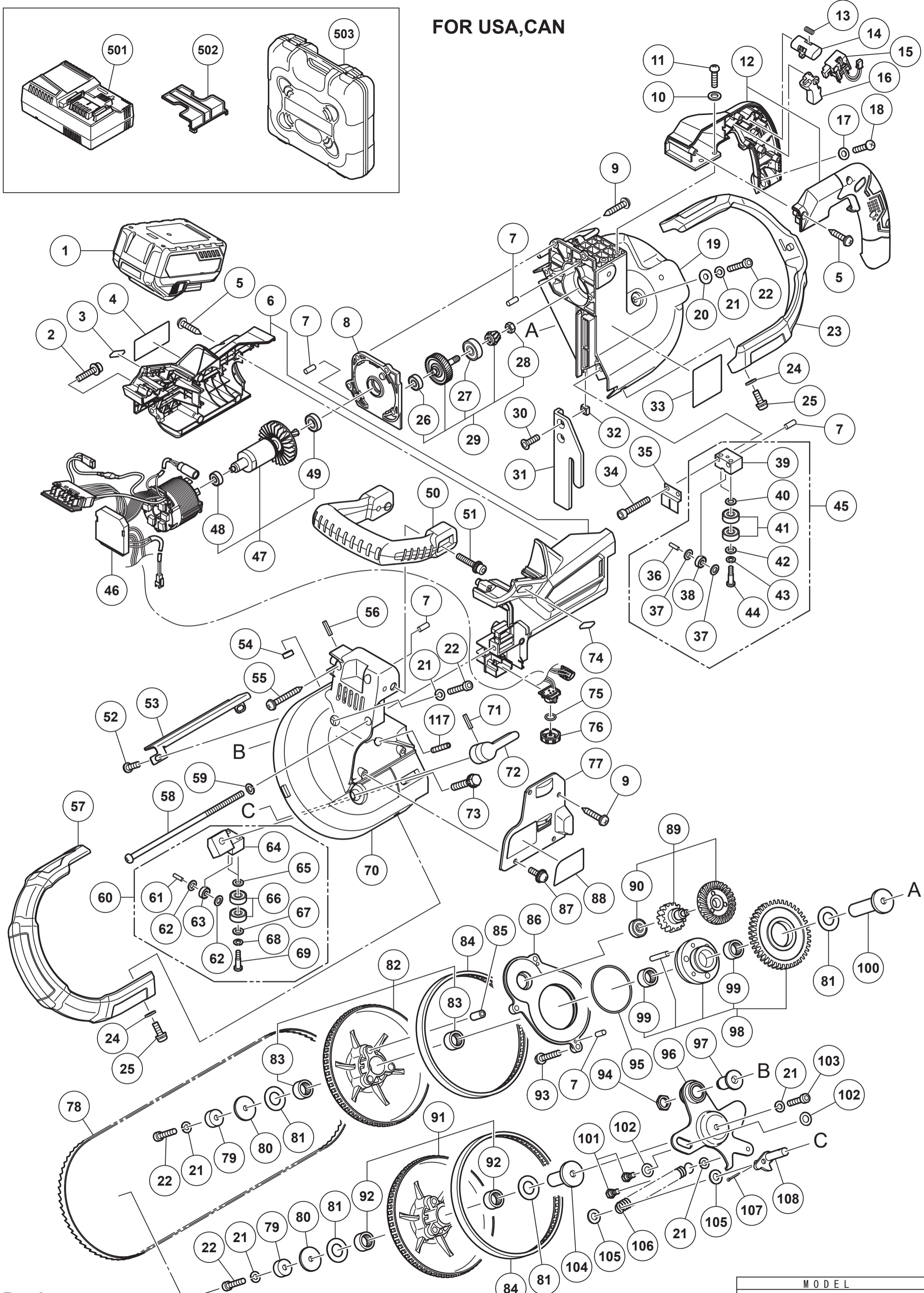
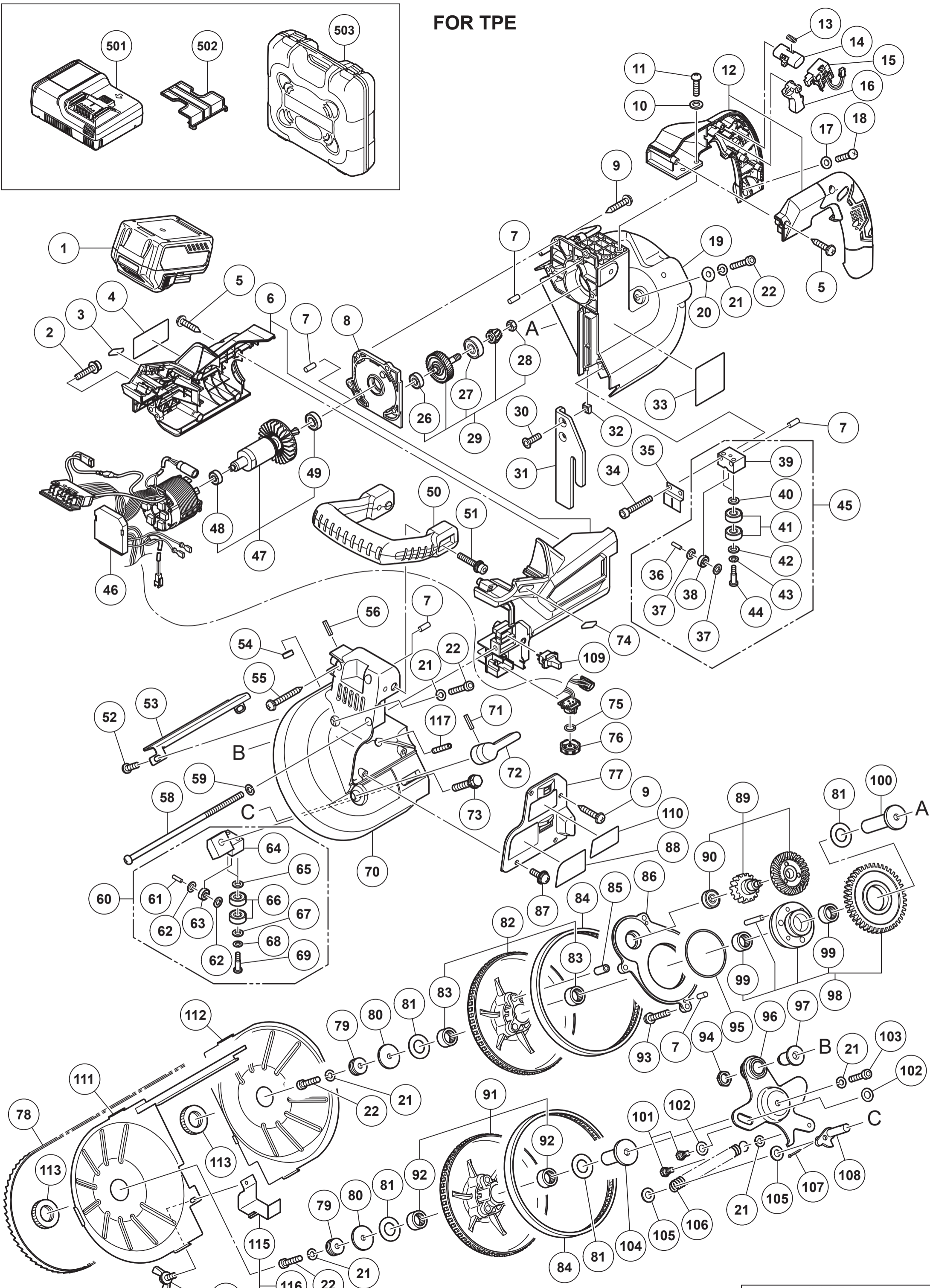


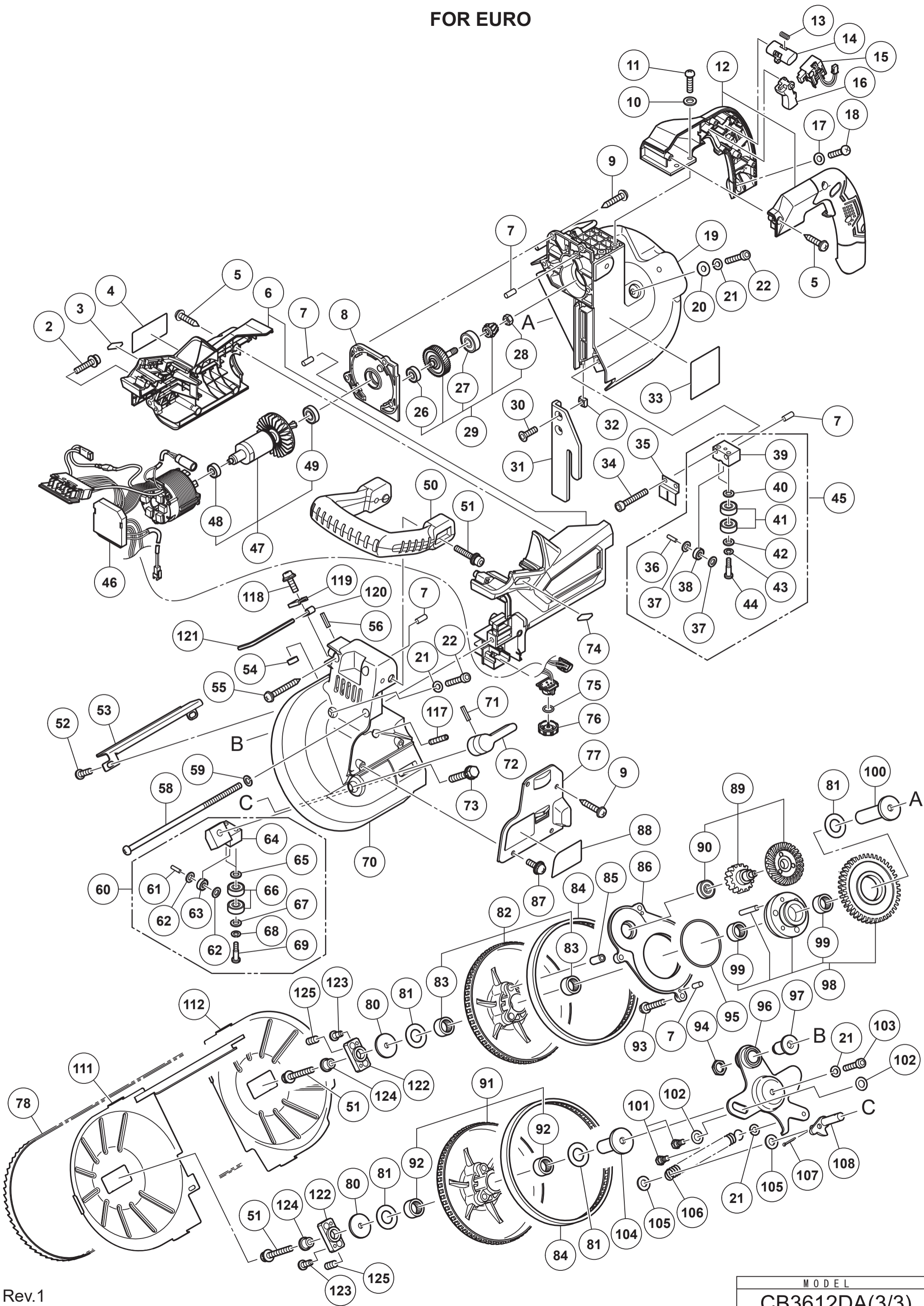
FOR USA,CAN



FOR TPE



FOR EURO



# HIKOKI

## CORDLESS BAND SAW

| Item No. | Code No. | Description                             | No. Used | Remarks                |
|----------|----------|---|----------|------------------------|
| *1       | 372121M  | BATTERY BSL 36B18 (USA,CAN)             | 1        | INCLUD.502             |
| 1        |          | BATTERY BSL 36A18 (TPE)                 | 1        |                        |
|          |          |   |          | INCLUD.502             |
| 2        | 316107   | HEX. SOCKET HD. BOLT (W/WASHERS) M5X20  | 2        |                        |
| 3        | 373914   | MV LABEL (B)                            | 1        |                        |
| 4        |          | NAME PLATE                              | 1        |                        |
| 5        | 301653   | TAPPING SCREW (W/FLANGE) D4X20 (BLACK)  | 9        |                        |
| *6       | 376236M  | HOUSING (A).(B) SET                     | 1        | FOR USA,CAN            |
| *6       | 376235   | HOUSING (A).(B) SET                     | 1        | FOR TPE                |
| *6       | 378930   | HOUSING (A).(B) SET                     | 1        | FOR EUROPE,CHN         |
| 7        | 949891   | PIN D4X10 (10 PCS.)                     | 6        |                        |
| 8        | 376237   | INNER COVER (A)                         | 1        |                        |
| 9        | 305558   | TAPPING SCREW (W/FLANGE) D5X25 (BLACK)  | 3        |                        |
| 10       | 949431   | BOLT WASHER M5 (10 PCS.)                | 2        |                        |
| 11       | 949239   | MACHINE SCREW M5X16 (10 PCS.)           | 2        |                        |
| 12       | 376239   | HANDLE (A).(B) SET                      | 1        |                        |
| 13       | 374781   | SPRING                                  | 1        |                        |
| 14       | 374780   | KNOB                                    | 1        |                        |
| 15       | 371907   | SWITCH                                  | 1        |                        |
| 16       | 338899   | TRIGGER                                 | 1        |                        |
| 17       | 949432   | BOLT WASHER M6 (10 PCS.)                | 1        |                        |
| 18       | 949256   | MACHINE SCREW M6X16 (10 PCS.)           | 1        |                        |
| *19      | 376243   | PULLEY GUARD (A)                        | 1        | FOR USA,CAN,CHN        |
| *19      | 376242   | PULLEY GUARD (A)                        | 1        | FOR TPE,EUROPE         |
| 20       | 322677   | WASHER (H)                              | 1        |                        |
| 21       | 949455   | SPRING WASHER M6 (10 PCS.)              | 6        | FOR USA,CAN,TPE,CHN    |
| *21      | 949455   | SPRING WASHER M6 (10 PCS.)              | 4        | FOR EUROPE             |
| 22       | 949660   | HEX. SOCKET HD. BOLT M6X20 (10 PCS.)    | 4        | FOR USA,CAN,TPE,CHN    |
| *22      | 949660   | HEX. SOCKET HD. BOLT M6X20 (10 PCS.)    | 2        | FOR EUROPE             |
| 23       | 376260   | BUMPER (A)                              | 1        | FOR USA,CAN,CHN        |
| 24       | 376492   | BUMPER PLATE                            | 4        | FOR USA,CAN,CHN        |
| 25       | 304043   | MACHINE SCREW (W/WASHERS) M4X10 (BLACK) | 4        | FOR USA,CAN,CHN        |
| 26       | 607VVC   | BALL BEARING 607VV                      | 1        |                        |
| 27       | 629VVM   | BALL BEARING 629VV                      | 1        |                        |
| 28       | 301941   | SPECIAL NUT M7                          | 1        |                        |
| 29       | 376238   | SECOND PINION ASS'Y                     | 1        | INCLUD.26-28           |
| 30       | 968771   | HEX. SOCKET FLAT HD. SCREW M6X16        | 2        |                        |
| 31       | 319165   | GUIDE PLATE                             | 1        |                        |
| 32       | 319166   | SQUARE NUT M6                           | 2        |                        |
| *33      | 376264   | SELECTION TABLE                         | 1        | FOR USA,CAN,EUROPE,CHN |
| *33      | 376263   | SELECTION TABLE                         | 1        | FOR TPE                |
| 34       | 949664   | HEX. SOCKET HD. BOLT M5X30 (10 PCS.)    | 2        |                        |
| 35       | 376491   | DUSTER PLATE                            | 1        |                        |
| 36       | 322680   | BEARING PIN                             | 1        |                        |
| 37       | 949429   | BOLT WASHER M4 (10 PCS.)                | 2        |                        |
| 38       | 323043   | ROLLER 604VV                            | 1        |                        |
| 39       | 376250   | BEARING HOLDER                          | 1        |                        |
| 40       | 949431   | BOLT WASHER M5 (10 PCS.)                | 2        |                        |
| 41       | 606ZZM   | BALL BEARING 606VV                      | 4        |                        |
| 42       | 949432   | BOLT WASHER M6 (10 PCS.)                | 2        |                        |
| 43       | 949455   | SPRING WASHER M6 (10 PCS.)              | 2        |                        |
| 44       | 322681   | BEARING PIN (B)                         | 2        |                        |
| 45       | 376249   | BEARING HOLDER ASS'Y                    | 1        | INCLUD.36-44           |

\* ALTERNATIVE PARTS

# HIKOKI

## CORDLESS BAND SAW

| Item No. | Code No. | Description                              | No. Used | Remarks                                  |
|----------|----------|--|----------|--|
| *46      | 341073   | STATOR FET PCB                           | 1        | FOR USA, CAN, EUROPE, CHN                |
| *46      | 341072   | STATOR FET PCB                           | 1        | FOR TPE                                  |
| *47      | 361133   | ROTOR ASS'Y                              | 1        | INCLUD. 48, 49 FOR USA, CAN, EUROPE, CHN |
| *47      | 361132   | ROTOR ASS'Y                              | 1        | INCLUD. 48, 49 FOR TPE                   |
| 48       | 606ZMZ   | BALL BEARING 606VV                       | 1        |  |
| 49       | 371033   | BALL BEARING 6900VVCM                    | 1        |  |
| 50       | 376270   | FRONT HANDLE                             | 1        |  |
| 51       | 307371   | HEX. SOCKET HD. BOLT (W/WASHERS) M6X25   | 2        | FOR USA, CAN, TPE, CHN                   |
| *51      | 307371   | HEX. SOCKET HD. BOLT (W/WASHERS) M6X25   | 4        | FOR EUROPE                               |
| 52       | 323040   | MACHINE SCREW M5X10 (BLACK)              | 2        |  |
| 53       | 322694   | BLADE COVER (C)                          | 1        |  |
| 54       | 322695   | ROLLER 624VV                             | 1        |  |
| 55       | 323209   | TAPPING SCREW (W/FLANGE) D5X35 (BLACK)   | 2        |  |
| 56       | 321956   | ROLL PIN D4X20 (STAINLESS)               | 1        |  |
| 57       | 376261   | BUMPER (B)                               | 1        | FOR USA, CAN, CHN                        |
| 58       | 376269   | MACHINE SCREW M5X220                     | 1        |  |
| 59       | 949454   | SPRING WASHER M5 (10 PCS.)               | 1        |  |
| 60       | 325381   | BEARING HOLDER (B) ASS'Y                 | 1        | INCLUD. 61-69                            |
| 61       | 322680   | BEARING PIN                              | 1        |  |
| 62       | 949429   | BOLT WASHER M4 (10 PCS.)                 | 2        |  |
| 63       | 323043   | ROLLER 604VV                             | 1        |  |
| 64       | 320172   | BEARING HOLDER (B)                       | 1        |  |
| 65       | 949431   | BOLT WASHER M5 (10 PCS.)                 | 2        |  |
| 66       | 606ZMZ   | BALL BEARING 606VV                       | 4        |  |
| 67       | 949432   | BOLT WASHER M6 (10 PCS.)                 | 2        |  |
| 68       | 949455   | SPRING WASHER M6 (10 PCS.)               | 2        |  |
| 69       | 322681   | BEARING PIN (B)                          | 2        |  |
| *70      | 376256   | PULLEY GUARD (B)                         | 1        | FOR USA, CAN, CHN                        |
| *70      | 376255   | PULLEY GUARD (B)                         | 1        | FOR TPE                                  |
| *70      | 378931   | PULLEY GUARD (B)                         | 1        | FOR EUROPE                               |
| 71       | 949499   | ROLL PIN D4X20 (10 PCS.)                 | 1        |  |
| 72       | 977119   | TENSION LEVER                            | 1        |  |
| 73       | 309357   | BOLT (W/WASHERS) M8X25 (BLACK)           | 1        |  |
| 74       | 373913   | MV LABEL (A)                             | 1        |  |
| 75       | 987105   | O-RING (S-10)                            | 1        |  |
| 76       | 372109   | DIAL                                     | 1        |  |
| *77      | 376241   | SWITCH PLATE                             | 1        | FOR USA, CAN, EUROPE, CHN                |
| *77      | 376240   | SWITCH PLATE                             | 1        | FOR TPE                                  |
| *78      | 376364M  | BAND SAW BLADE 12.5X1140 18TPI (3 PCS.)  | 1        | FOR USA, CAN                             |
| *78      | 318781   | BAND SAW BLADE NO.7 18TPI (HSS) (5 PCS.) | 1        | FOR TPE                                  |
| *78      | 376364   | BAND SAW BLADE 12.5X1140 18TPI (3 PCS.)  | 1        | FOR EUROPE, CHN                          |
| *79      | 376508   | WASHER (C)                               | 2        | FOR USA, CAN, CHN                        |
| *79      | 376507   | WASHER (C)                               | 2        | FOR TPE                                  |
| 80       | 936311   | WASHER (B)                               | 2        |  |
| 81       | 977108   | PLASTIC WASHER                           | 4        |  |
| 82       | 376315   | BLADE PULLEY ASS'Y                       | 1        | INCLUD. 83                               |
| 83       | 319150   | NEEDLE BEARING                           | 2        |  |
| 84       | 977110   | SAW WHEEL RUBBER                         | 2        |  |
| 85       | 319157   | RUBBER BUSHING                           | 3        |  |
| 86       | 376247   | INNER COVER (B)                          | 1        |  |
| 87       | 996247   | MACHINE SCREW (W/WASHERS) M5X12 (BLACK)  | 3        |  |
| *88      | 376266   | DIAL LABEL                               | 1        | FOR USA, CAN, EUROPE, CHN                |
| *88      | 376265   | DIAL LABEL                               | 1        | FOR TPE                                  |

\* ALTERNATIVE PARTS

# HIKOKI

## CORDLESS BAND SAW

| Item No. | Code No. | Description                             | No. Used | Remarks                |
|----------|----------|---|----------|------------------------|
| 89       | 376244   | THIRD PINION ASS'Y                      | 1        | INCLUD.90              |
| 90       | 608VVM   | BALL BEARING 608VVC2PS2L                | 1        |                        |
| 91       | 322690   | BLADE PULLEY ASS'Y                      | 1        | INCLUD.92              |
| 92       | 319150   | NEEDLE BEARING                          | 2        |                        |
| 93       | 995096   | MACHINE SCREW (W/WASHERS) M5X20 (BLACK) | 4        |                        |
| 94       | 322686   | NUT                                     | 1        |                        |
| 95       | 327870   | O-RING (A)                              | 1        |                        |
| 96       | 325379   | ARM                                     | 1        |                        |
| 97       | 977116   | ARM SHAFT                               | 1        |                        |
| 98       | 376246   | SPINDLE ASS'Y                           | 1        | INCLUD.99              |
| 99       | 319150   | NEEDLE BEARING                          | 2        |                        |
| 100      | 376245   | PULLEY SHAFT (A)                        | 1        |                        |
| 101      | 977117   | COVER SCREW (A)                         | 2        |                        |
| 102      | 973040   | THRUST WASHER                           | 2        |                        |
| 103      | 949755   | HEX. SOCKET HD. BOLT M6X16 (10 PCS.)    | 1        |                        |
| 104      | 322689   | PULLEY SHAFT (B)                        | 1        |                        |
| 105      | 949426   | WASHER M8 (10 PCS.)                     | 2        |                        |
| *106     | 376258   | TENSION SPRING                          | 1        |                        |
| *106     | 376257   | TENSION SPRING                          | 1        | FOR TPE                |
| 107      | 949531   | SPLIT PIN D2X12 (10 PCS.)               | 1        |                        |
| 108      | 322687   | CAM SHAFT (A)                           | 1        |                        |
| 109      | 370099   | REVERSING SWITCH                        | 1        | FOR TPE                |
| 110      | 376267   | SWITCH LABEL                            | 1        | FOR TPE                |
| 111      | 325380   | PROTECTIVE COVER (B)                    | 1        | FOR TPE                |
| *111     | 378932   | PROTECTIVE COVER (B)                    | 1        | FOR EUROPE             |
| 112      | 376259   | PROTECTIVE COVER (A)                    | 1        | FOR TPE                |
| *112     | 378933   | PROTECTIVE COVER (A)                    | 1        | FOR EUROPE             |
| 113      | 977136   | SPECIAL NUT M20                         | 2        | FOR TPE                |
| 114      | 973699   | WING BOLT M4X8 (BLACK)                  | 1        | FOR TPE                |
| 115      | 325511   | PROTECTIVE COVER (S)                    | 1        | FOR TPE                |
| 116      | 336199   | PROTECTIVE COVER SET                    | 1        | INCLUD.114,115 FOR TPE |
| 117      | 950094   | HEX. SOCKET SET SCREW M6X20             | 1        |                        |
| 118      | 935196   | MACHINE SCREW (W/WASHERS) M4X12 (BLACK) | 2        | FOR EUROPE             |
| 119      | 378936   | PLATE (A)                               | 1        | FOR EUROPE             |
| 120      | 973313   | NYLON CLIP                              | 1        | FOR EUROPE             |
| 121      | 944458   | HEX. BAR WRENCH 4MM                     | 1        | FOR EUROPE             |
| 122      | 378934   | HOLDER PLATE (A)                        | 2        | FOR EUROPE             |
| 123      | 371814   | SLOTTED HD. SCREW (SEAL LOCK) M4        | 4        | FOR EUROPE             |
| 124      | 378935   | COLLAR (A)                              | 2        | FOR EUROPE             |
| 125      | 303252   | NYLOCK HEX. SOCKET SET SCREW M8X8       | 4        | FOR EUROPE             |
|          |          | STANDARD ACCESSORIES                    |          |                        |
| 501      |          | CHARGER (MODEL UC 18YSL3)               | 1        |                        |
| 501      |          | CHARGER                                 | 1        |                        |
|          |          |   |          | FOR TPE                |
| 502      | 329897   | BATTERY COVER                           | 1        |                        |
| *503     | 376268   | CASE                                    | 1        |                        |
| *503     | 376490   | CASE                                    | 1        | FOR TPE                |
|          |          | OPTIONAL ACCESSORIES                    |          |                        |
| 601      | 372120   | BATTERY BSL 36B18 (EUROPE,AUS,NZL)      | 1        | INCLUD.602 FOR EUROPE  |
| 602      | 329897   | BATTERY COVER                           | 1        | FOR EUROPE             |
| 603      |          | CHARGER (MODEL UC 18YSL3)               | 1        |                        |
|          |          |   |          | FOR EUROPE             |

\* ALTERNATIVE PARTS